

LUJA POLE BASES



Lujabetoni

1. LAMP POST BASES

The pole is mounted to the base using adjuster bolts. Rubber protectors are listed on page 5.

| BASE TYPE | ELECTRICAL PRODUCT CODE | POLE DIAMETER, mm | POLE HEIGHT, m | h mm | h1 mm | h2 mm | h3 mm | D1 mm | D2 mm | D3 mm | D4 mm | D5 mm | ADJUSTER BOLTS M16 pcs | DT ³ | DL ³ | WEIGHT, kg | qty/ pallet |
|---------------|-------------------------|-------------------|----------------|------|-------|-------|-------|-------|-------|-------|-------|-------|------------------------|-----------------|-----------------|------------|-------------|
| RBJ - 2B | 4607215 | 100 - 143 | 1 - 4 | 700 | 430 | 40 | 50 | 310 | 260 | 155 | 142 | 96 | 3 | 0.1 | 0.06 | 78 | 12 |
| RBJ - 2.5B | 4607224 | 100 - 143 | 1 - 5 | 915 | 450 | 50 | 40 | 370 | 260 | 155 | 143 | 109 | 3 | 0.24 | 0.17 | 105 | 6 |
| RBJ - 3B | 4607233 | 100 - 143 | 1 - 6 | 950 | 505 | 60 | 60 | 500 | 300 | 158 | 155 | 101 | 3 | 0.34 | 0.21 | 169 | 5 |
| RJB - 4B | 4607245 | 100 - 143 | 4 - 8 | 1300 | 510 | 70 | 65 | 490 | 304 | 158 | 154 | 94 | 3 | 0.87 | 0.67 | 273 | 4 |
| RBJ - 4B 4 | 4607202 | 100 - 143 | 4 - 8 | 1300 | 510 | 70 | 65 | 490 | 304 | 158 | 154 | 94 | 4 | 0.85 | 0.67 | 273 | 4 |
| RBJ - 4.5B | 4607257 | 128 - 168 | 6 - 10 | 1250 | 600 | 100 | 60 | 600 | 330 | 188 | 180 | 127 | 4 | 0.91 | 0.61 | 314 | 4 |
| RBJ - 4.8B | 4607278 | 128 - 168 | 8 - 11 | 1500 | 600 | 100 | 60 | 650 | 330 | 188 | 177 | 130 | 4 | 1.65 | 1.1 | 490 | 2 |
| RBJ - 5B | 4607266 | 150 - 224 | 8 - 12 | 1500 | 660 | 165 | 70 | 600 | 420 | 240 | 228 | 102 | 4 | 1.72 | 1.35 | 500 | 4 |
| RBJ - 5B 6 | 4607204 | 150 - 224 | 8 - 12 | 1500 | 660 | 165 | 70 | 600 | 420 | 240 | 228 | 102 | 6 | 1.72 | 1.35 | 500 | 4 |
| RBJ - 6B | 4607287 | 150 - 224 | 8 - 15 | 1800 | 680 | 110 | 65 | 650 | 435 | 255 | 250 | 137 | 6 | 3.16 | 2.67 | 780 | 2 |
| RBJ - 6/2200B | 4607563 | 150 - 224 | 8 - 15 | 2200 | 680 | 110 | 65 | 800 | 435 | 255 | 250 | 137 | 6 | 6.58 | 5.08 | 1100 | 1 |
| RBJ - 6.3B | 4607210 | 215 - 278 | 10 - 15 | 1710 | 695 | 140 | 65 | 810 | 490 | 310 | 290 | 133 | 6 | 3.25 | 2.64 | 1000 | 1 |
| RBJ - 6.5B | 4607201 | 215 - 278 | 10 - 18 | 2000 | 695 | 140 | 65 | 810 | 490 | 310 | 290 | 133 | 8 | 5.2 | 4.44 | 1250 | 1 |



2. BASES WITH STEEL COLLARS

The pole is mounted to the base using adjuster bolts. Rubber protectors are listed on page 5.

| BASE TYPE | ELECTRICAL PRODUCT CODE | POLE DIAMETER, mm | POLE HEIGHT, m | h mm | h1 mm | h2 mm | h3 mm | D1 mm | D2 mm | D3 mm | D4 mm | D5 mm | ADJUSTER BOLTS M16 pcs | DT ³ | DL ³ | WEIGHT, kg | qty/ pallet |
|-------------|-------------------------|-------------------|----------------|------|-------|-------|-------|-------|-------|-------|-------|-------|------------------------|-----------------|-----------------|------------|-------------|
| RBJ - 3 RST | 4607207 | 100 - 143 | 1 - 6 | 950 | 505 | 60 | 60 | 500 | 300 | 158 | 155 | 101 | 3 | 0.34 | 0.21 | 169 | 5 |
| RBJ - 4 RST | 4607208 | 100 - 143 | 4 - 8 | 1300 | 510 | 70 | 65 | 490 | 304 | 158 | 154 | 94 | 3 | 0.87 | 0.67 | 273 | 4 |

3. BASES FOR LIGHT MASTS

The pole is mounted to the base using adjuster bolts. Final mounting of the pole requires grouting, see page 6.

| BASE TYPE | ELECTRICAL PRODUCT CODE | POLE DIAMETER, mm | POLE HEIGHT, m | h mm | h1 mm | h2 mm | h3 mm | D1 mm | D2 mm | D3 mm | D4 mm | D5 mm | ADJUSTER BOLTS M16 pcs | DT ³ | DL ³ | WEIGHT, kg |
|---------------|-------------------------|-------------------|----------------|------|-------|-------|-------|-------|-------|-------|-------|-------|------------------------|-----------------|-----------------|------------|
| RBJ - 7C | 4607323 | 250 - 360 | 10 - 15 | 2000 | 920 | 180 | 70 | 600 | 600 | 382 | 380 | 95 | 8 | 4.8 | 4.12 | 1080 |
| RBJ - 7/2400C | 4607326 | 250 - 360 | 15 - 20 | 2400 | 920 | 180 | 70 | 600 | 600 | 382 | 380 | 95 | 8 | 8.3 | 7.3 | 1350 |

4. BASES WITH PLATES

The pole is mounted to the base using adjuster bolts. * Final mounting of the pole requires grouting, see page 6.

| BASE TYPE | ELECTRICAL PRODUCT CODE | POLE DIAMETER, mm | POLE HEIGHT, m | h mm | h1 mm | h2 mm | h3 mm | h4 mm | D1 mm | D2 mm | D3 mm | D4 mm | D5 mm | ADJUSTER BOLTS M16 pcs | WEIGHT, kg |
|------------|-------------------------|-------------------|----------------|------|-------|-------|-------|-------|-------------------|-------|-------|-------|-------|------------------------|------------|
| RBJ - 6L | 4607308 | 150 - 224 | 10 - 15 | 1290 | 660 | 165 | 70 | 250 | plate 1800 x 1800 | 420 | 240 | 228 | 102 | 6 | 2175 |
| RBJ - 6.5L | 4607211 | 215 - 278 | 10 - 18 | 1450 | 695 | 140 | 65 | 250 | plate 1800x1800 | 500 | 310 | 290 | 133 | 8 | 2380 |
| RBJ - 7L * | 4607329 | 250 - 360 | 15 - 20 | 1600 | 920 | 180 | 70 | 250 | plate 1800 x 1800 | 600 | 382 | 380 | 95 | 8 | 2500 |

5. BASES FOR TRAFFIC SIGNS, GUIDE MAPS, OUTDOOR LIGHTS AND CAR HEATING POLES

The pole is mounted to the base using a plastic locking ring.

| BASE TYPE | ELECTRICAL PRODUCT CODE | POLE DIAMETER, mm | POLE HEIGHT, m | h mm | h1 mm | D1 mm | D2 mm | D3 mm | WEIGHT, kg | qty/pallet |
|------------|-------------------------|-------------------|----------------|------|-----------|-------|-------|-------|------------|------------|
| RBJ - A1 | 4607200 | 38 - 50, 60,3 | 1 - 3 | 480 | 430 | 210 | 142 | 82 | 21 | 40 |
| RBJ - A2 | 4607203 | 38 - 50, 60,3 | 1 - 3 | 680 | 630 | 210 | 142 | 82 | 29 | 30 |
| RBJ - A3 | 4607206 | 38 - 50, 60,3 | 1 - 5 | 900 | 630 | 250 | 142 | 82 | 53 | 15 |
| RBJ - 2A | 4607212 | 114 | 1 - 4 | 700 | 470 - 510 | 310 | 262 | 156 | 78 | 12 |
| RBJ - 2.8D | 4607528 | 88.9 | 1 - 5 | 915 | 510 | 370 | 260 | 130 | 115 | 6 |
| RBJ - 4A | 4607242 | 114 | 4 - 8 | 1300 | 500 - 550 | 490 | 304 | 158 | 273 | 4 |
| RBJ - 4F | 4607252 | 88.9 | 4 - 8 | 1300 | 500 - 550 | 490 | 302 | 129 | 292 | 4 |

Plastic locking rings and rubber protectors for bases RBJ - 2A, 2.8D, 4A and 4F are listed on page 5.

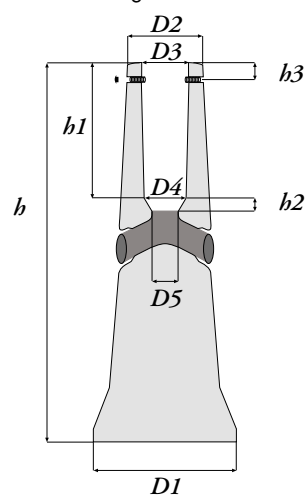
6. LAMP POST BASES

The pole is mounted to the base using wooden wedges.

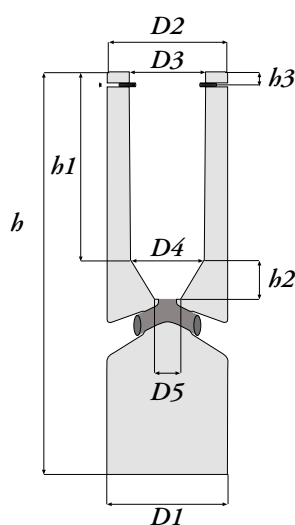
| BASE TYPE | ELECTRICAL PRODUCT CODE | POLE DIAMETER, mm | POLE HEIGHT, m | h mm | h1 mm | h2 mm | h3 mm | D1 mm | D2 mm | D3 mm | D4 mm | D5 mm | DT ³ | DL ³ | WEIGHT, kg | qty/pallet |
|------------|-------------------------|-------------------|----------------|------|-------|-------|-------|-------|-------|-------|-------|-------|-----------------|-----------------|------------|------------|
| RBJ - 2A | 4607212 | 100 - 143 | 1 - 4 | 700 | 430 | 40 | 50 | 310 | 260 | 155 | 142 | 96 | 0.1 | 0.06 | 78 | 12 |
| RBJ - 2.5A | 4607221 | 100 - 143 | 1 - 5 | 915 | 450 | 50 | 40 | 370 | 260 | 155 | 143 | 109 | 0.24 | 0.17 | 105 | 6 |
| RBJ - 3A | 4607230 | 100 - 143 | 1 - 6 | 950 | 505 | 60 | 60 | 500 | 300 | 158 | 155 | 101 | 0.34 | 0.21 | 169 | 5 |
| RJB - 4A | 4607242 | 100 - 143 | 4 - 8 | 1300 | 510 | 70 | 65 | 490 | 304 | 158 | 154 | 94 | 0.87 | 0.67 | 273 | 4 |
| RBJ - 4.5A | 4607254 | 128 - 168 | 6 - 10 | 1250 | 600 | 100 | 60 | 600 | 330 | 188 | 180 | 127 | 0.91 | 0.61 | 314 | 4 |
| RBJ - 5A | 4607263 | 150 - 224 | 8 - 12 | 1500 | 660 | 165 | 70 | 600 | 420 | 240 | 228 | 102 | 1.72 | 1.35 | 500 | 4 |

Wooden wedge sets and rubber protectors are listed on page 5.

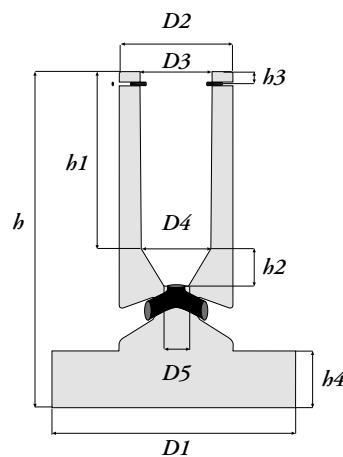
1. 2. 6. BASE FOR LAMP POLES mounting using adjuster bolts, bases with steel collars and mounting with wooden wedges



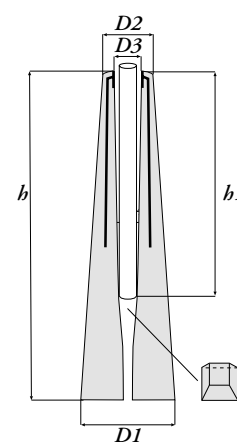
3. LIGHT MAST BASE mounting using adjuster bolts



4. BASE WITH PLATE mounting using adjuster bolts



5. TRAFFIC SIGN BASE plastic locking ring



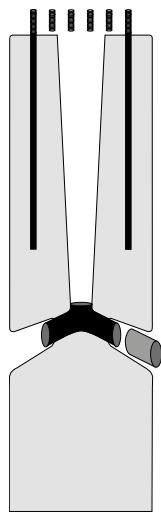
Dimensional tolerances:

- height ± 15 mm

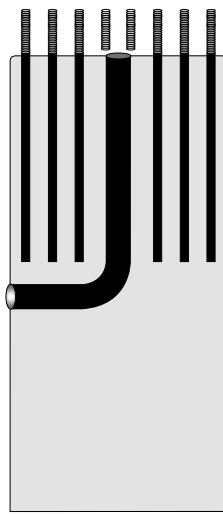
- other dimensions ± 5 mm

We reserve the right to make changes to the technical details.

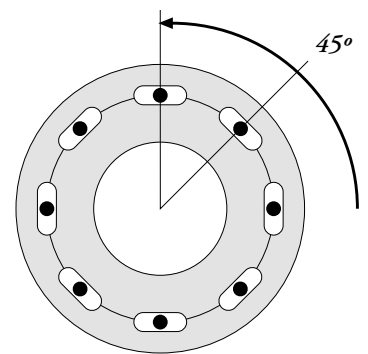
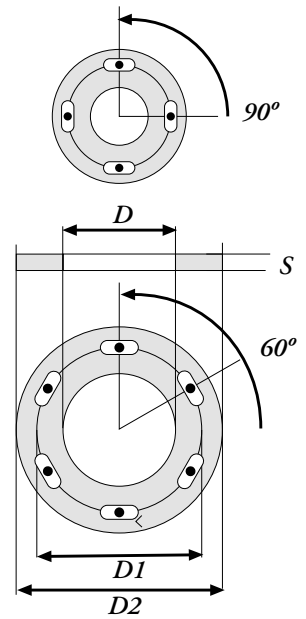
POLE BASES FOR FLANGED POLES



RBJ - 7/flange 1 - 7



RBJ - 9/flange 8 or 9



The bases are also available with plates; the standard plate size is 1800 x 1800 x 250 mm.

| TYPE | RBJ-7/flange | RBJ-9/flange |
|-------------------|-----------------------|--------------|
| FLANGE | 1, 2, 3, 4, 5, 6 or 7 | 8 or 9 |
| BASE LENGTH, mm | 2000 or 2400 | 2000 or 2500 |
| BASE WEIGHT, kg | 1130 or 1430 | 3400 or 4250 |
| BASE DIAMETER, mm | 600 | 950 |

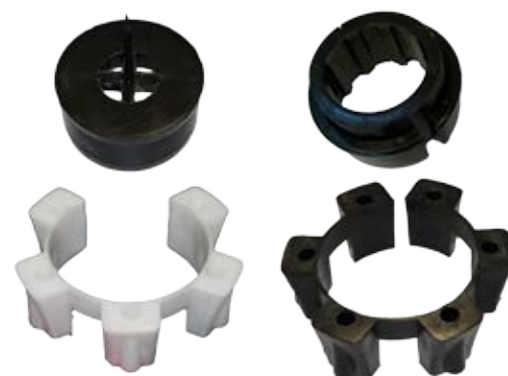
| FLANGE | 1 | 2 | 3 | 4 | 5 | 6 | 7 | 8 | 9 |
|-------------------------|---------|---------|---------|---------|---------|---------|---------|---------|---------|
| ELECTRICAL PRODUCT CODE | 4607571 | 4607572 | 4607573 | 4607574 | 4607575 | 4607576 | 4607577 | 4607578 | 4607579 |
| D1 | 200 | 250 | 325 | 325 | 400 | 450 | 500 | 550 | 650 |
| D2 | 260 | 325 | 420 | 420 | 500 | 560 | 620 | 700 | 800 |
| S | 20 | 25 | 25 | 32 | 40 | 40 | 40 | 40 | 50 |
| SCREW | M16 | M20 | M24 | M24 | M24 | M30 | M30 | M36 | M36 |
| K | 90° | 90° | 90° | 90° | 60° | 60° | 45° | 45° | 45° |
| D | 108 | 140 | 168 | 219 | 273 | 323 | 323 | 323 | 323 |



RUBBER PROTECTORS

| TYPE | ELECTRICAL PRODUCT CODE | POLE DIAMETER, mm | FOR BASES |
|----------|-------------------------|-------------------|-----------------------|
| 88.9 mm | 4607594 | 88.9 | RBJ - 2.8D, RBJ - 4F |
| 235/95K | 4607383 | 100 - 110 | RBJ - 2 - RBJ - 4.8 |
| 235/103K | 4607386 | 111 - 120 | RBJ - 2 - RBJ - 4.8 |
| 235/113K | 4607389 | 121 - 134 | RBJ - 2 - RBJ - 4.8 |
| 235/126K | 4607392 | 135 - 143 | RBJ - 2 - RBJ - 4.8 |
| 235/145K | 4607395 | 150 - 168 | RBJ - 4.5 - RBJ - 4.8 |
| 360/149K | 4607216 | 155 - 175 | RBJ - 5 - RBJ - 6 |
| 360/170K | 4607403 | 176 - 195 | RBJ - 5 - RBJ - 6 |
| 360/187K | 4607405 | 193 - 209 | RBJ - 5 - RBJ - 6 |
| 360/204K | 4607407 | 210 - 224 | RBJ - 5 - RBJ - 6.5 |
| 360/204K | 4607407 | 210 - 224 | RBJ - 5 - RBJ - 6.5 |
| 430/230K | 4607205 | 238 - 253 | RBJ - 6.3 - RBJ - 6.5 |
| 430/250K | 4607214 | 254 - 273 | RBJ - 6.3 - RBJ - 6.5 |

The rubber protectors are made of a TP elastomer with excellent weather resistance.



PLASTIC LOCKING RINGS

| TYPE | ELECTRICAL PRODUCT CODE | FOR BASES |
|--------------------|-------------------------|---------------------------|
| for 38-50 mm poles | 4607332 | RBJ - A1, A2 and A3 |
| for 60.3 mm poles | 4607335 | RBJ - A1, A2 and A3 |
| for 88.9 mm poles | 4607593 | RBJ - 2.8D and 4F |
| for 114 mm poles | 4607338 | RBJ - 2A, 2.5A, 3A and 4A |



WOODEN WEDGES

| TYPE | ELECTRICAL PRODUCT CODE | IN SET, pcs | FOR BASES |
|----------------------|-------------------------|-------------|---------------------------|
| for 30-50 mm poles | 4607341 | 3 | RBJ - A1, A2 and A3 |
| for 100-143 mm poles | 4607344 | 4 | RBJ - 2A, 2.5A, 3A and 4A |
| for 150-224 mm poles | 4607347 | 4 | RBJ - 4.5A and 5A |

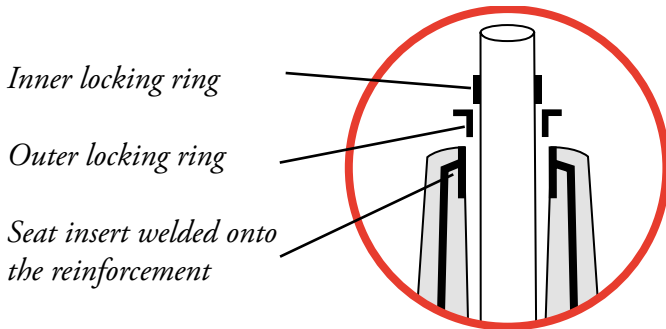


INSTALLATION INSTRUCTIONS

POLE MOUNTED WITH PLASTIC LOCKING RING

BASES RBJ - A1, A2 AND A3

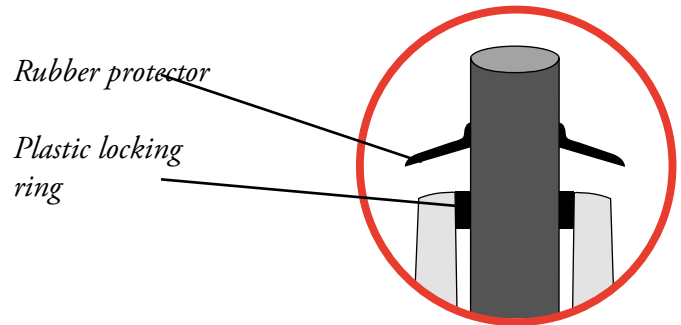
1. Thread the plastic locking rings onto the pole.
2. Slam the pole into the base and it will lock into the rectangular bottom.
3. Push the locking rings between the base and pole.



POLE MOUNTED WITH PLASTIC LOCKING RING

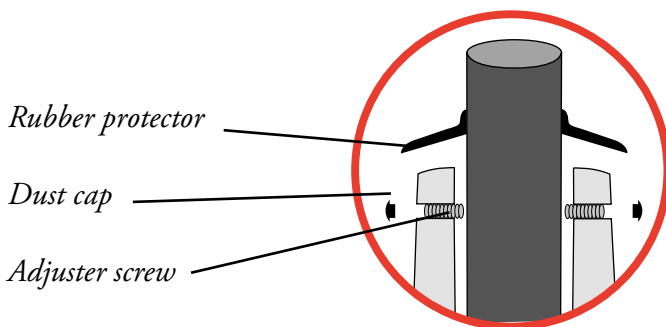
BASES RBJ - 2.8D, 4F, 2.5A, 3A AND 4A

1. Thread the rubber protector onto the pole.
2. Thread the plastic locking rings onto the pole.
3. Lower the pole into the base (as deep as it will go).
4. Push the locking ring between the base and pole.
5. Lower the rubber protector to rest against the base.



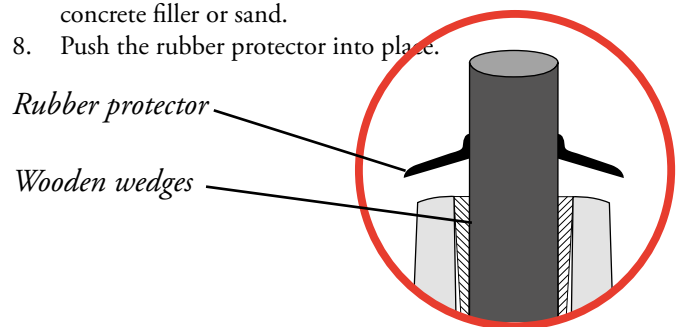
POLE MOUNTING WITH ADJUSTER BOLTS

1. Thread the rubber protector onto the pole.
2. Lower the pole into the base (as deep as it will go).
3. Remove the plastic dust caps from the adjuster screws on the base, e.g. with the tip of a screwdriver.
4. Make sure the pole is straight.
5. Tighten the adjuster screws with an 8 mm Allen key. Do not tighten too much so that the pole will not dent.
6. Replace the dust caps of the screws.
7. Push the rubber protector into place.



POLE MOUNTING WITH WOODEN WEDGES

1. Thread the rubber protector onto the pole.
2. Lower the pole into the base (as deep as it will go).
3. Make sure the pole is straight.
4. Drive the wooden wedges between the pole and base from opposite sides.
5. Cut off the part of the wedge that protrudes above the base.
6. The service life of the durable wood of the wedges is approximately 25 years.
7. For poles that will be in use for a longer period, we recommend filling the gaps between the wedges with concrete filler or sand.
8. Push the rubber protector into place.



FOR LIGHT MAST BASES RBJ - 7C AND RBJ - 7/2400C

Straighten the mast with the adjuster bolts and immediately fill the gap between the mast and base with concrete filler. The mast must not be left to rest on the bolts alone.

FOUNDATIONS, LOCATION AND HEIGHT OF THE BASE

The filling around the base must be packed in 0.5 m layers by tamping with a wooden pole or similar tool attached to an excavator bucket, or in 0.3 m layers using a vibrating plate.

The bases are mounted upright, in the location and at the height specified in the planning documents. Before the mounting of the pole, the location of the base must be verified through control measurements during mounting work.

For road lighting, the bases must be installed at a height of 50-150 mm from ground level. The installation height of bases for flexible poles is 50-100 mm. *InfraRYL 2006: General quality requirements for infrastructure construction. (in Finnish) Part 2: Systems and supplementary components. (in Finnish)*

LUJABETONI POLE BASES

Lujabetoni has been producing pole bases since 1991. In the design of the bases, particular attention has been paid to the adjustability of the pole, strength of the upper part of the base, and the shape of the cable entry slot.

TECHNICAL SPECIFICATIONS

- Base concrete K40 XF4
- Reinforcement B500K and A500HW
- Adjuster parts stainless steel
- Steel collars stainless steel
- Cable entry slots plastic Ø 110 mm
- The rubber protectors are made of a TP elastomer with excellent weather resistance.
- The 10-metre safety pole of Tehomet Oy has been impact-tested with an RBJ - 5B 6 base and the 12-metre HE safety pole with an RBJ - 6B base.



Our systems have been certified in three areas: the quality management system according to standard SFS-EN ISO 9001:2008, environmental management system according to standard SFS EN ISO 14001:2004 and occupational health and safety management system according to standard OHSAS 18001:2007.



ORGANISATION
CERTIFIED BY
Inspecta
ISO 9001
ISO 14001
OHSAS 18001

Lujabetoni



Lujabetoni Oy
Valkeiskyläntie 66
74200 VIEREMÄ, FINLAND
Tel. +358 20 7895 670
E-mail: firstname.lastname@luja.fi

ORGANISATION
CERTIFIED BY
Inspecta

ISO 9001
ISO 14001
OHSAS 18001



Lujabetoni

www.lujabetoni.fi